

DH-IPC-HFW4230M-4G-AS-I2

2MP 4G IR Bullet Network Camera



- 1/2.9" 2Megapixel progressive CMOS
- H.265 & H.264 dual-stream encoding
- 25/30fps@2M(1920×1080)
- Day/Night(ICR), 3DNR, AWB, AGC, BLC
- Multiple network monitoring: Web viewer, CMS(DSS/PSS) & DMSS
- Micro SD card slot, up to 128GB
- 3.6mm,6mm fixed lens
- Max IR LEDs Length 80m
- 4G supported
- IP67



System Overview

The 4G supported IR bullet camera delivers 2MP resolution with a 3.6mm or 6mm fixed lens. The camera can be connected to mobile internet as long as you have a SIM card, provides an excellent choice for a variety of small to mid-size applications such as off-grid system, farms, forest, border, etc.

Functions

4G

The camera can be connected to Mobile Internet as long as you have a SIM card, then you can place it anywhere and no need to worry about the wiring hassles.

Intelligent Video analysis (IVS)

Dahua camera is equipped with a built-in intelligent analytic algorithm based on video, which can realize intelligent functions like Tripwire and Intrusion, to quickly and accurately respond to monitoring events in specific area, It can enhance monitoring efficiency. In addition, the camera supports intelligent tamper detection, which is to generate warning message via detecting dramatic scene change and to guarantee effective video surveillance.

Smart IR Technology

With IR illumination, detailed images can be captured in low light or total darkness. The camera's Smart IR technology adjusts the intensity of camera's infrared LEDs to compensate the distance of an object. Smart IR technology prevents IR LEDs from whitening out images as they come closer to the camera. The camera's integrated infrared illumination provides high performance in extreme low-light environments up to 80m (262.5ft).

Protection (IP67, wide voltage)

The camera allows for $\pm 25\%$ input voltage tolerance, suitable for the most unstable conditions for outdoor applications. Its 2KV lightning rating provides effective protection for both the camera and its structure

against lightning. Subjected and certified to rigorous dust and immersion tests (IP67), the camera is the choice for installation in even the most unforgiving environments.

Environmental

Dahua cameras operate in extreme temperature environments, rated for use in temperatures from -30° C to +60° C (-22° F to +140° F) with 95% humidity.

Smart Codec (H.265+ & H.264+)

Smart Codec is the optimized implementation of standard video compression (H.265 & H.264) that uses a scene-adaptive encoding strategy, dynamic GOP, dynamic ROI, flexible multi-frame reference structure and intelligent noise reduction to deliver high-quality video without straining the network. Smart Codec technology reduces bit rate and storage requirements by up to 70% when compared to the standard video compression.

Technical Specification

Camera

Image Sensor	1/2.9" 2Megapixel progressive scan CMOS
Effective Pixels	1920(H) x 1080(V)
RAM/ROM	256MB/32MB
Scanning System	Progressive
Minimum Illumination	0.08Lux/F2.0(Color,1/3s,30IRE) 0.3Lux/2.0(Color,1/30s,30IRE) 0Lux/F2.0(IR on)
S/N Ratio	More than 50dB
IR Distance	Distance up to 80m (262.5ft)
IR On/Off Control	Auto/ Manual
IR LEDs	2

Lens

Lens Type	Fixed				
Mount Type	Board-in				
Focal Length	3.6mm (6mm optional)				
Max. Aperture	F2.0 (F2.0)				
Angle of View	H: 82° (51°), V: 44° (30°)				
Optical Zoom	N/A				
Focus Control	Fixed				
Close Focus Distance	N/A				
DORI Distance	Lens	Detect	Observe	Recognize	Identify
	3.6mm	53m(174ft)	21m(69ft)	10m(33ft)	5m(17ft)
	6mm	80m(262ft)	32m(105ft)	16m(52ft)	8m(26ft)

Pan/Tilt/Rotation

Pan/Tilt/Rotation Range	N/A
-------------------------	-----

Intelligence

Event Trigger	Motion detection, Video tampering , Scene changing, Network disconnection , IP address conflict, Illegal Access,Storage anomaly
IVS	Tripwire, Intrusion

Video

Compression	H.265/H.264H/MJPEG(Sub Stream)
Smart Codec	Support H.265+/H.264+
Streaming Capability	2 Streams
Resolution	1080P(1920x1080)/1.3M(1280x960)/720P(1280x720)/D1(704x576/704x480)/VGA(640x480)/CIF(352x288/352x240)
Frame Rate	Main Stream: 1080P (1~25/30fps)
	Sub Stream: D1(1~25/30fps)
Bit Rate Control	CBR/VBR
Bit Rate	H.264: 32~10240Kbps H.265: 12~7424Kbps
Day/Night	Auto(ICR) / Color / B/W

BLC Mode	BLC / HLC / DWDR
White Balance	Auto/Natural/Street Lamp/Outdoor/Manual
Gain Control	Auto/Manual
Noise Reduction	3D DNR
Motion Detection	Off / On (4 Zone, Rectangle)
Region of Interest	Off / On (4 Zone)
Electronic Image Stabilization (EIS)	N/A
Smart IR	Support
Defog	N/A
Digital Zoom	16x
Flip	0°/90°/180°/270°
Mirror	Off / On
Privacy Masking	Off / On (4 Area, Rectangle)

Audio

Compression	G.711a/ G.711Mu/ AAC/ G.726
-------------	-----------------------------

Network

Ethernet	RJ-45 (10/100Base-T)
Mobile Communication	4G
Operating band	Model 1: TDD-LTE:Band38/39/40/41 FDD-LTE:Band1/3/5/8 WCDMA:Band1/8 TD-SCDMA:Band34/39 EVDO/CDMA1X:BC0 GSM:Band3/8 Model 2: FDD-LTE:Band1/2/3/4/5/7/8/20 UMTS:Band1/2/5/8 GSM:850/900/1800/1900
Protocol	HTTP;HTTPS;TCP;ARP;RTSP;RTP;RTCP;UDP;SMTP; FTP;DHCP;DNS;DDNS;PPPoE;IPV4/V6;QoS;UPnP; NTP;Bonjour;IEEE 802.1X;Multicast;IGMP;TLS
Interoperability	ONVIF Profile S&G, API
Streaming Method	Unicast / Multicast
Max. User Access	10 Users /20 Users
Edge Storage	NAS Local PC for instant recording Mirco SD card 128GB
Web Viewer	IE, Chrome, Firefox, Safari
Management Software	Smart PSS, DSS, DMSS
Smart Phone	IOS, Android

Certifications

Certifications	CE (EN 60950:2000) UL:UL60950-1 FCC: FCC Part 15 Subpart B
----------------	--

Interface

Audio Interface	1/1 channel In/Out
Alarm	2 channel In: 5mA 5VDC 2 channel Out: 300mA 12VDC

Electrical

Power Supply	DC12V
Power Consumption	<9.5W

Environmental

Operating Conditions	-30° C ~ +60° C (-22° F ~ +140° F) / Less than 95% RH
Storage Conditions	-30° C ~ +60° C (-22° F ~ +140° F) / Less than 95% RH
Ingress Protection	IP67
Vandal Resistance	N/A

Construction

Casing	Metal+Plastic
Dimensions	194.1mm×96.1mm×89.9mm (7.64"×3.79"×3.54")
Net Weight	0.64Kg (1.41lb)
Gross Weight	0.79kg (1.74lb)

Ordering Information

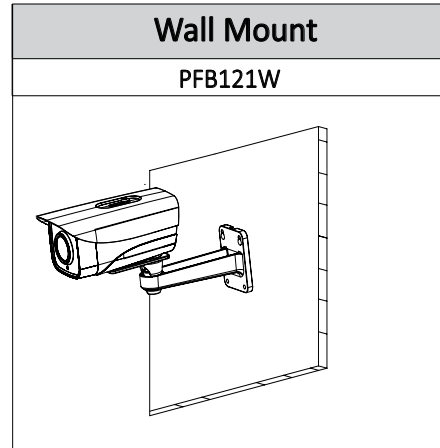
Type	Part Number	Description
2MP camera	DH-IPC-HFW4320MP-4G-AS-I2-0360B	2MP 4G IR Bullet Network Camera, PAL
	DH-IPC-HFW4320MN-4G-AS-I2-0360B	2MP 4G IR Bullet Network Camera, NTSC
	IPC-HFW4320MP-4G-AS-I2-0360B	2MP 4G IR Bullet Network Camera, PAL
	IPC-HFW4320MN-4G-AS-I2-0360B	2MP 4G IR Bullet Network Camera, NTSC
	DH-IPC-HFW4320MP-4G-AS-I2-0600B	2MP 4G IR Bullet Network Camera, PAL
	DH-IPC-HFW4320MN-4G-AS-I2-0600B	2MP 4G IR Bullet Network Camera, NTSC
	IPC-HFW4320MP-4G-AS-I2-0600B	2MP 4G IR Bullet Network Camera, PAL
	IPC-HFW4320MN-4G-AS-I2-0600B	2MP 4G IR Bullet Network Camera, NTSC
Accessories (optional)	PFB121W	Wall Mount

Accessories

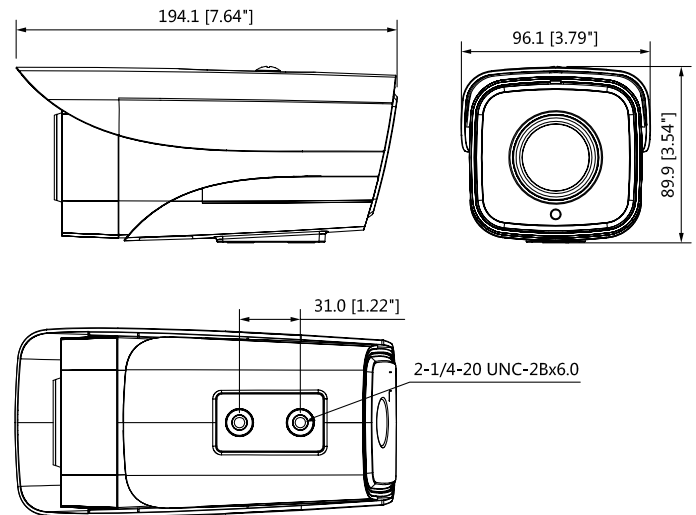
Optional:



PFB121W



Dimensions (mm/inch)



DH-PFB121W

Wall Mount Bracket



Features

- Aesthetic design
- Wall mount bracket
- Material: aluminum

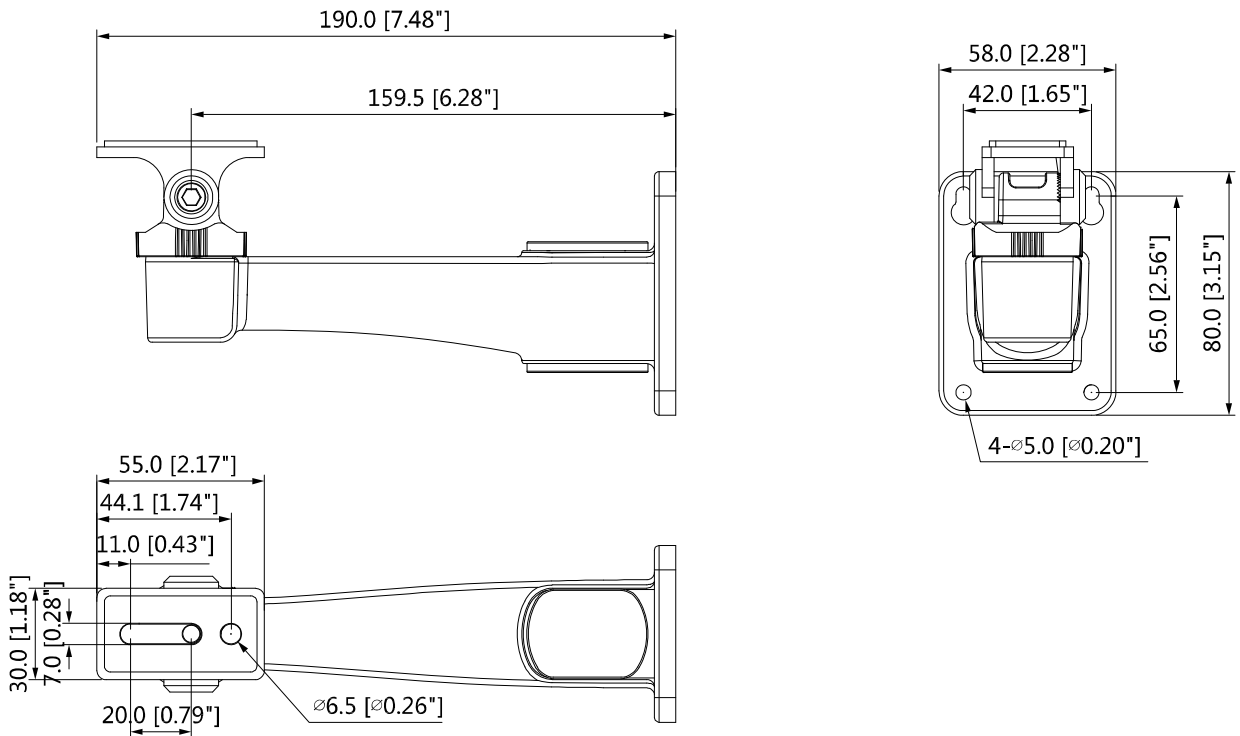
Technical Specifications

Model	DH-PFB121W
General	
Material	Aluminum
Dimension(WxHxD)	58mmx88mmx190.5mm (2.28"x3.46"x7.50")
Weight	0.24kg(0.53lb)
Load Bearing	1kg(2.2lb)
Color	White
Operating Temperature	-40°C ~ +60°C (-40°F ~ +140°F)
Humidity	<90% RH
Applicable Model	Please see "Accessory Selection"

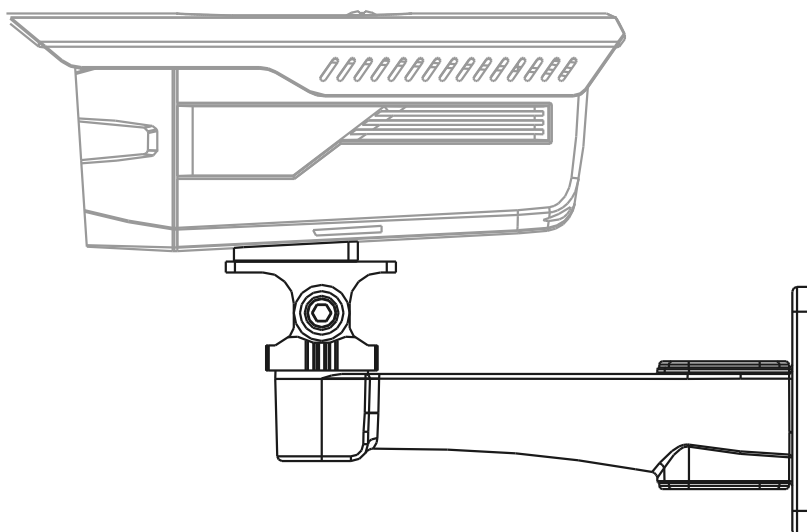
Order Information

Type	Part Number	Description
Camera Mount	DH-PFB121W	Wall mount bracket
	PFB121W	Wall mount bracket

Dimensions (mm/inch)



Application



Package Information

- Wall mount bracket *1
- 1/4-20-10UNC *1
- ST4 screw *3
- Plastic anchor *4
- Wrench *1

DH-PFA121

Water-proof Junction Box



Features

- Aesthetic design
- Material: aluminum
- IP66 junction box

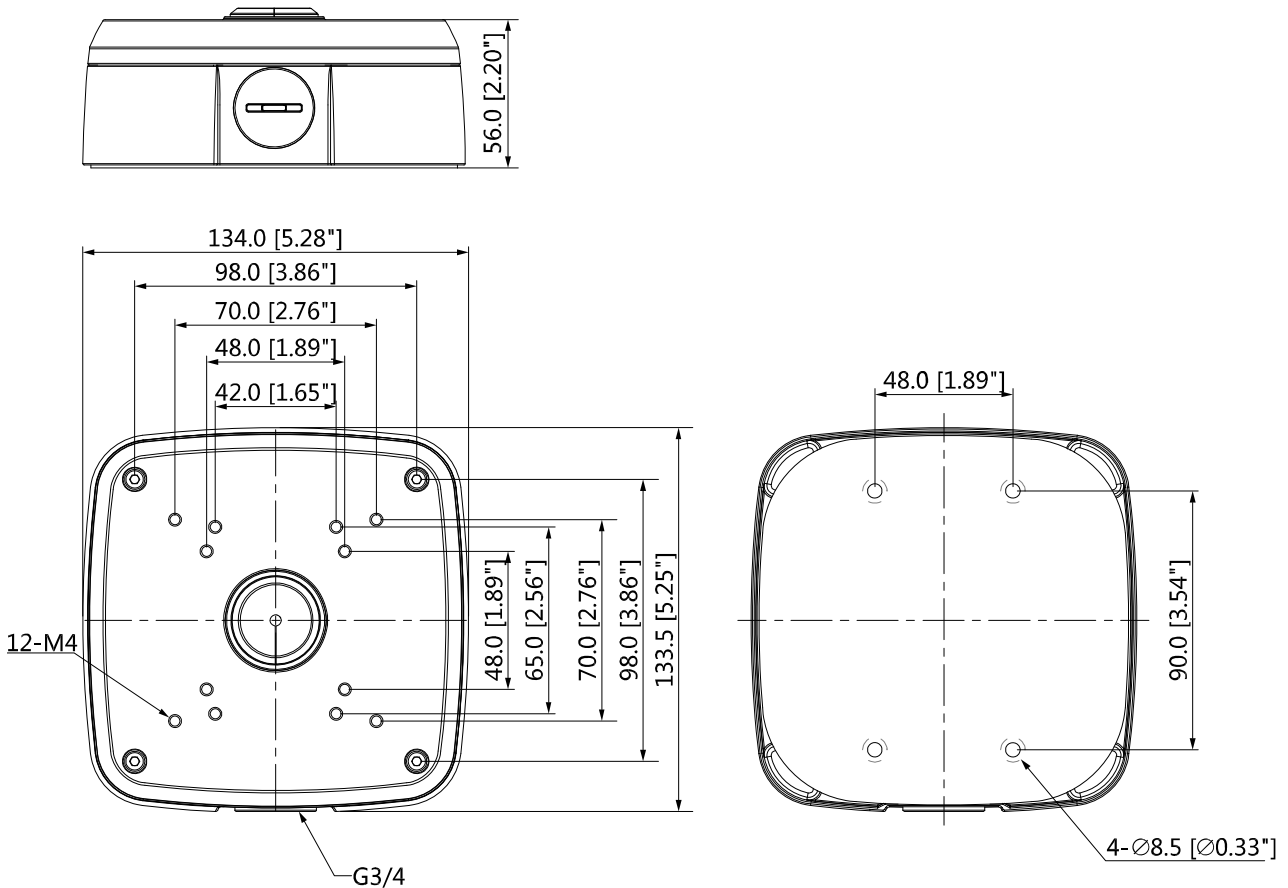
Technical Specifications

Model	DH-PFA121
General	
Material	Aluminum
Dimension (WxHxD)	134.0mmx133.5mmx56.0mm (5.28"x5.25"x2.20")
Pipe Thread	G3/4"
Weight	0.54kg(1.19lb)
Load Bearing	3.0kg(6.61lb)
Color	White
Protection	IP66
Operating Temperature	-40°C~+60°C(-40°F~+140°F)
Humidity	0~90% RH
Applicable Model	Please see "Accessory Selection"

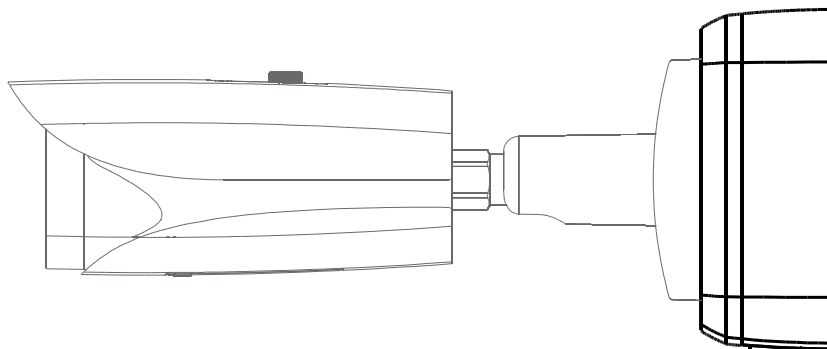
Order Information

Type	Part Number	Description
Camera Mount	DH-PFA121	Water-proof junction box
	PFA121	Water-proof junction box

Dimensions (mm/inch)



Application



Package Information

- Water-proof junction box *1
- M4x10 screw *4
- ST6 screw *4
- Plastic anchor *4
- S3.0 wrench *1

DH-PFM320D-015

DC12V1.5A Power Adapter



Features

- Easy installation
- Support working with indicator light
- Support $-30^{\circ}\text{C} \sim +70^{\circ}\text{C}$ wide-range temperature operation, and the full load efficiency of the power supply can be up to 100% at these temperatures
- Accurate overcurrent, overvoltage protection

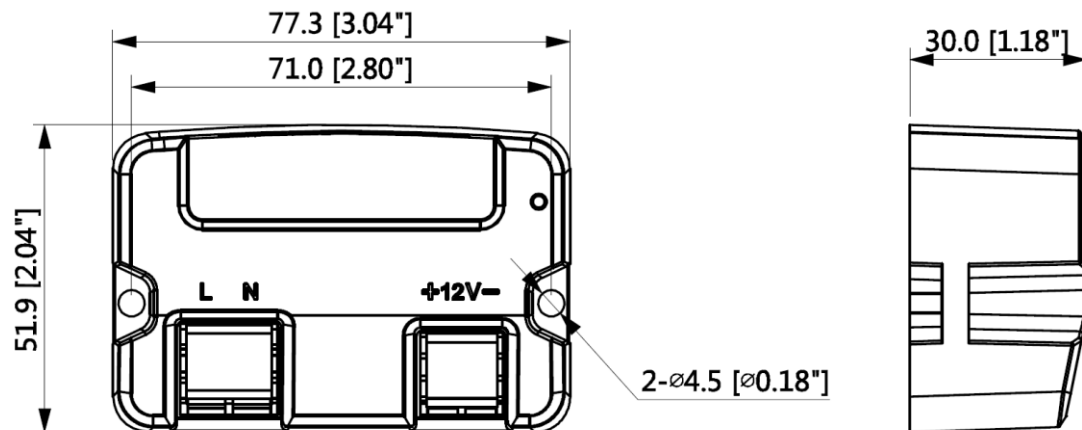
Technical Specifications

Model	DH-PFM320D-015
Electrical Specification	
Rated input	AC100~240V, 50/60Hz, 0.6A
Output voltage	DC12V (+7%, -3%)
Output current	Max. 1.5A (+70°C)
Protection/Environmental	
Protection	Surge protection, over temperature protection, over current, voltage load protection
	ESD: EN61000-4-2 +/-6kV Contact; +/-8kV Air
	Surge: EN61000-4-5 Combination Wave: Common Mode ±4KV(12 ohms) Differential Mode ±2kV(2 ohms)
Working temperature	-30°C ~ +70°C (-22°F ~ +158°F)
Working humidity	5%~95% RH
Physical Properties	
Weight	95g(0.21lb)
Dimension(LxWxH)	77.3mmx51.9mmx30.0mm(3.04"x2.04"x1.18")
Installation	Plane installation, can be installed in junction boxes and wall mount brackets
Color	White
Input plug	2-pin plug(L/N)
Output plug	2-pin plug(+12V-)
Safety Standards	
Certification	CE, FCC

Order Information

Type	Part Number	Description
Power series	DH-PFM320D-015	DC12V 1.5A power adapter(CE/FCC)
	DH-PFM321D-EN	DC12V 1A power adapter(CE/FCC/UL-VI) for cameras
	DH-PFM321D-BS	
	DH-PFM321D-US	
	DH-PFM320D-EN	DC12V 2A power adapter(CE/FCC/UL-VI) for cameras
	DH-PFM320D-BS	
	DH-PFM320D-US	

Dimensions (mm/inch)



Application

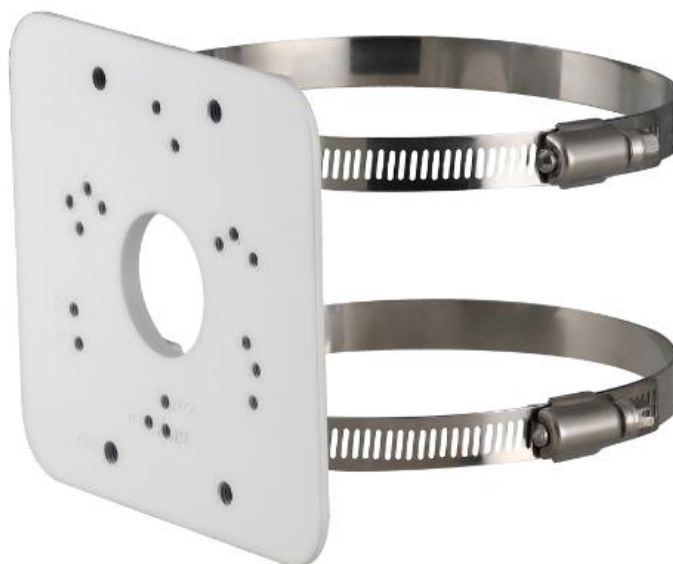
- Support to be installed in some brackets, such as junction box PFA12X and wall mount bracket PFB302S/PFB210W.

Package Information

- DC12V 1.5A power adapter DH-PFM320D-015 *1

DH-PFA152-E

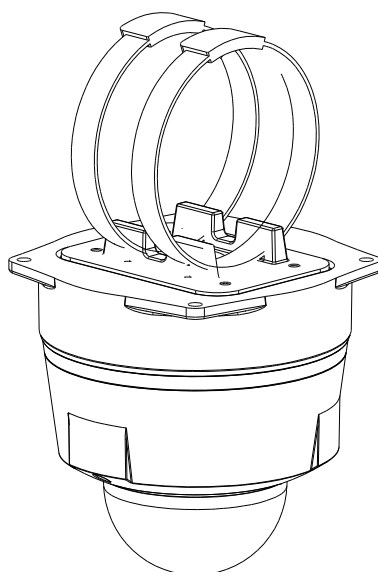
Pole Mount Bracket



Features

- Material: aluminum & SUS304
- Pole mount bracket
- Aesthetic design

Application



Package Information

- Pole mount bracket *1
- M4 screw *4
- M6 screw *4
- Wrench *1
- Metal hoop: 2

