

Width=600mm  
Depth=600mm

Standard Heights:

5 different U heights:

07U, 09U, 12U, 16U, 20U

Standards, and Compliances:



**ISO 9001:2008**

Quality Management System

EN 61587 -1:2012  
Mechanical Structures for  
Electronic Equipment

IEC 297-1, 19" mounting  
IEC 297-2 Overall cabinet dimensions



**CE conform to**

EN 60950-1:2006 Information Technology  
Equipment – Safety – Part-1-  
General Requirement



**UL listed to**

UL 2416, Outline of Investigation for  
Audio/Video, Information and  
Communication Technology Equipment  
Cabinet, Enclosure and Rack Systems; UL  
60950-1 and CSA C22.2 NO. 60950-1-07,  
Information Technology Equipment Safety  
Part 1: General Requirements



TSE conformity based on EN 61587 -1:2012



GOST R conformity



**Environment Friendly;**

\* **ISO 14001** Environmental Management  
System  
\* RoHS compliancy  
\* %100 Recyclable Material

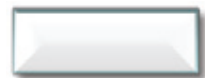
**Load Capacity: 100 kgs.**



PROline series Wall Mounting Networking Enclosures, with 19" w:600mm and d:600mm physical sizes, with max internal usable depth, and 5 different height, gives a wide selection chart for users.

All Lande PROline Wall cabinets are being delivered as a single piece pre-assembled enclosure, with standard factory settings.

**Standard Colors:**

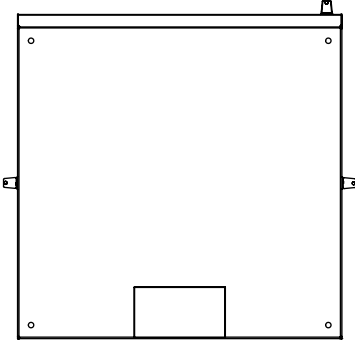


RAL 7035 Light Grey

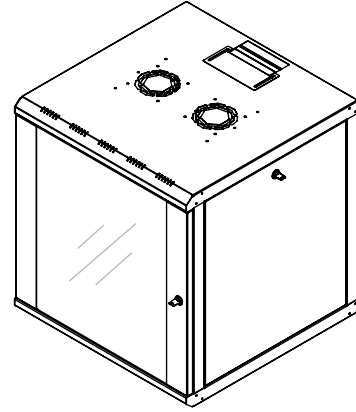


RAL 9005 Black

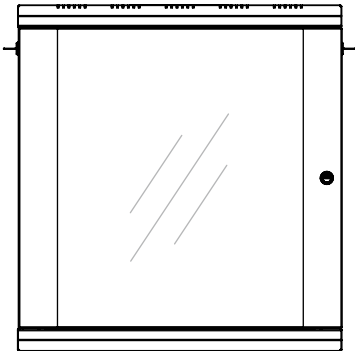
CONSTRUCTION  
DRAWING



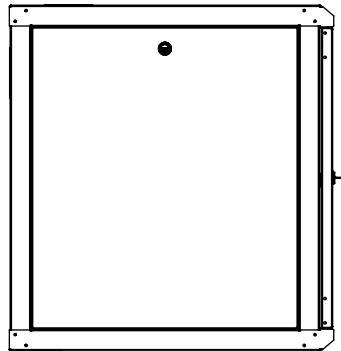
BOTTOM VIEW



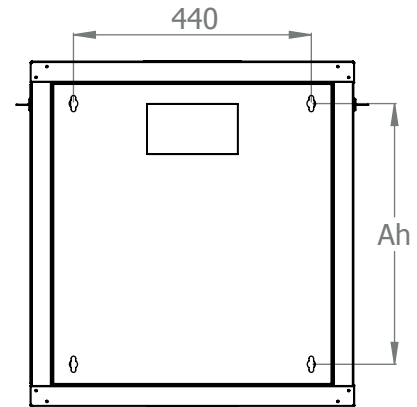
ISOMETRIC VIEW



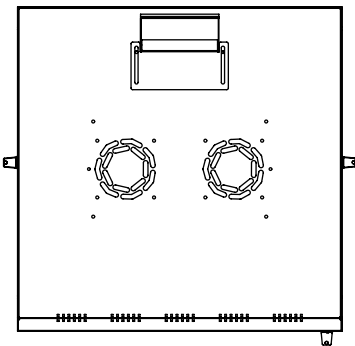
FRONT VIEW



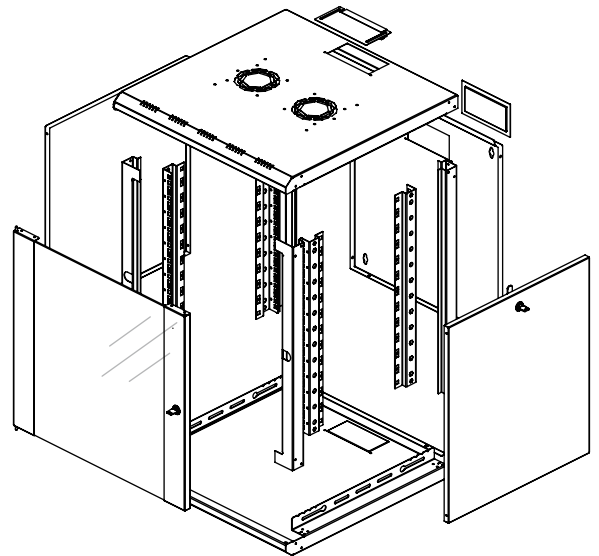
SIDE VIEW



REAR VIEW

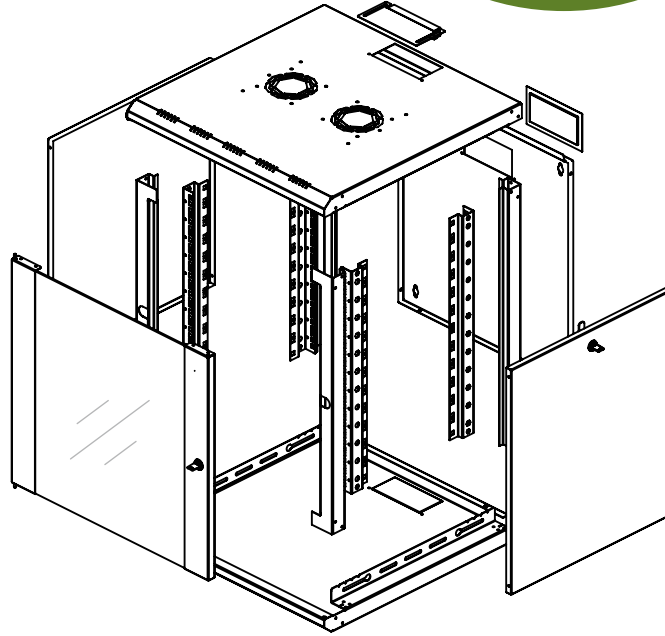


TOP VIEW

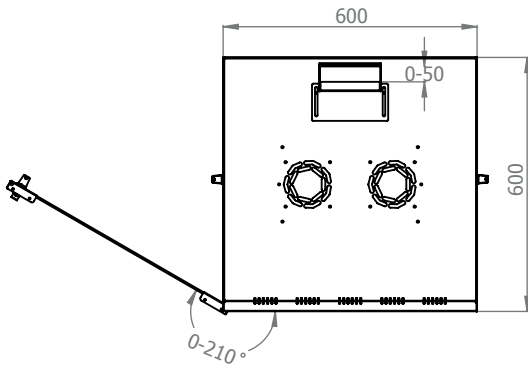


EXPLODED VIEW

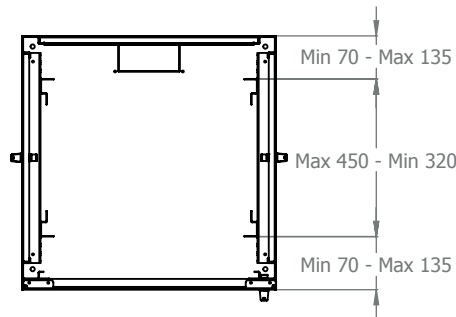
CONSTRUCTION  
DRAWING



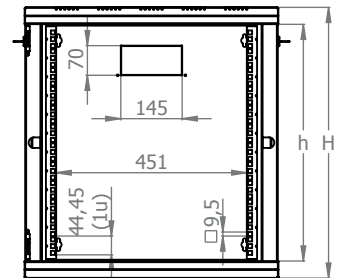
EXPLODED VIEW



FRONTDOOR  
OPENING ANGLE



MAX / MIN EQUIPMENT  
MOUNTING DISTANCE



DIMENSIONS IN  
WITDTH AND HEIGHT

PROline Series Wall Mounting 19" Cabinets W=600mm D=600mm

*Product Number	Product Description	Size W X D X H mm	h size in U	h in mm	**H mm, overall without feet and/or caster	***Ah Wall Mounting h mm	Width Overall mm	Width Rail to Rail	Depth Overall mm	****Depth Shipping Conf. Rail to Rail mm	PACKING DIMENSIONS W X D X H mm	QTY IN PACKAGE	Standard NET Weight of product kgs	Gross Weight of Product kgs
LN-PR07U6060-CC	7U 19" Wall Mounting Cabinet W=600mm D=600mm	600x600x418	7U	311	418	260	600	19"	600	400	650x650x480	1	18	21
LN-PR09U6060-CC	9U 19" Wall Mounting Cabinet W=600mm D=600mm	600x600x505	9U	400	505	349	600	19"	600	400	650x650x550	1	22	25
LN-PR12U6060-CC	12U 19" Wall Mounting Cabinet W=600mm D=600mm	600x600x640	12U	533	640	482	600	19"	600	400	650x650x690	1	28	31
LN-PR16U6060-CC	16U 19" Wall Mounting Cabinet W=600mm D=600mm	600x600x818	16U	711	818	660	600	19"	600	400	650x650x870	1	36	39,5
LN-PR20U6060-CC	20U 19" Wall Mounting Cabinet W=600mm D=600mm	600x600x996	20U	889	996	838	600	19"	600	400	650x650x1050	1	43	46,5

\*CC= LG for Light Grey RAL 7035 & BL for Black RAL 9005 for customers to define while ordering.

\*\* See overall Height information without feet and or Caster from Drawings .

\*\*\* See Ah Rear Panel Wall Fixing Height between holes for 7,9,12,16,20 U on Drawings and above Chart, Width is fixed 440mm.

\*\*\*\*See min and max Adjustable depth variations on drawings.

