

DS-WSPLI-T8 Workstation



Introduction

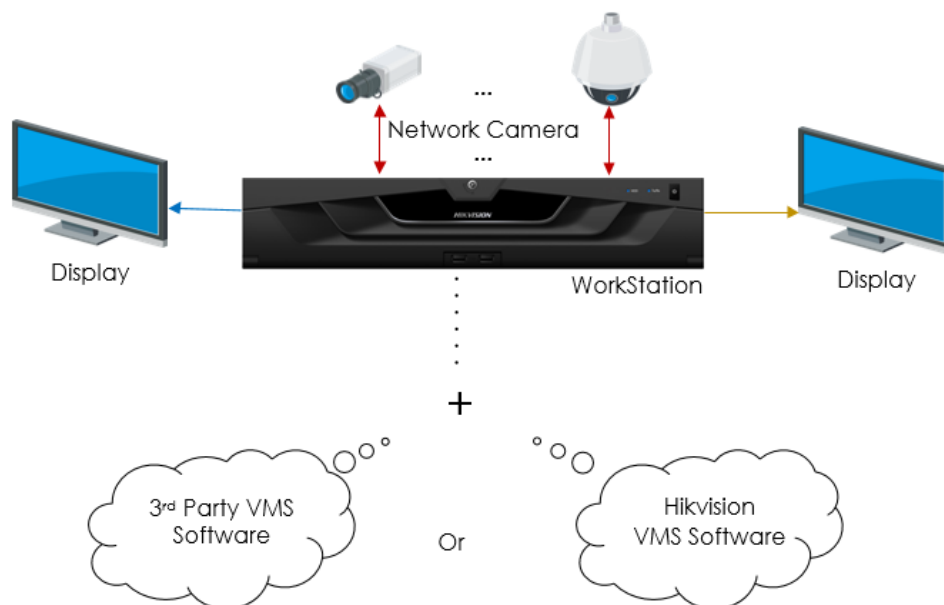
Embedded with the Linux operating system, the DS-WSPLI-T8 Series Workstation provides well performance in CPU processing, decoding, and storage capability. It allows the integration of the Hikvision hardware and the third-party VMS software to maintain a flexible one-stop solution.

The DS-WSPLI-T8 station can be applied to the middle-scale chain management with convenient remote centralized storage.

Key Feature

- High stability and reliability
- Compact and flexible structure design
- Linux operating system
- Various CPU / memory options selectable
- Allow installing or integrating with the third-party VMS software
- Hardware RAID configurable
- mSATA SSD available for operating system and software installation
- 2 HDMI outputs at up to 4K resolution

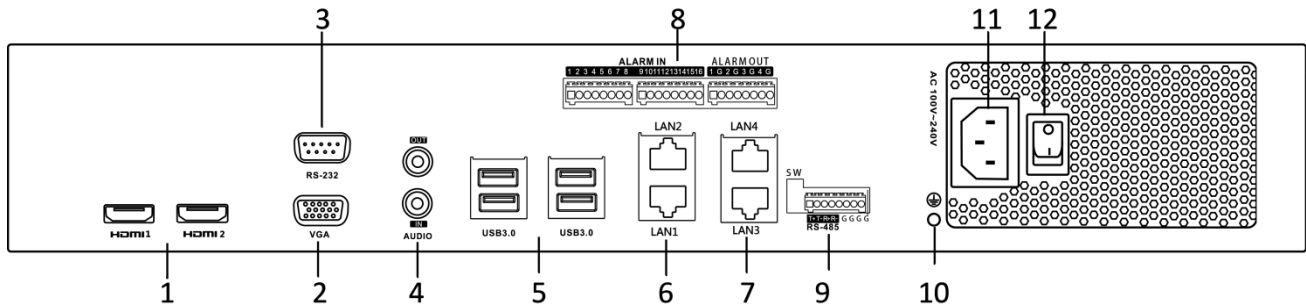
Typical Application



Specifications

Model		DS-WSPLI-T8
System	Processor	Intel® Xeon® Processor E3-1225 v5, 3.30 GHz
		Optional: <ul style="list-style-type: none"> ● G4400 3M Cache,3.30GHz; ● i3-6100 3M Cache,3.70GHz; ● i5-6500 6M Cache,3.20GHz; ● i7-6700 8M Cache,3.40GHz
	Memory	2 Memory Slots, 2 x 4 GB
		Optional: 4 x 8 GB
	Graphics card	Intel® HD Graphics
	PCIe slot	1 PCIe x16
Operating system	Ubuntu Linux 16.04	
Storage	System disk (OS, VMS)	mSATA 64GB
		Optional: mSATA 128GB
	SATA interface	8 SATA interfaces
		1TB/2TB/3TB/4TB/5TB/6TB/8TB/10TB capacity for each disk
RAID card	Optional	
TPM encryption board	Optional	
Video/Audio output	HDMI interface	2 × HDMI interface
		4K (3840 × 2160)/30Hz, 2K (2560 × 1440)/60Hz, 1920 × 1080/60Hz, 1600 × 1200/60Hz, 1280 × 1024/60Hz, 1280 × 720/60Hz, 1024 × 768/60Hz
	VGA interface	1 × VGA interface
		1920 × 1080/60Hz, 1280 × 1024/60Hz, 1280 × 720/60Hz, 1024 × 768/60Hz
	Audio input	1-ch, 3.5 mm audio connector
Audio output	1-ch, 3.5 mm audio connector	
External interface	LAN	2 × RJ45 10M/100M/1000M self-adaptive Ethernet interface
		Optional: 4 × RJ45 10M/100M/1000M self-adaptive Ethernet interface
	USB interface	Front panel: 2 × USB 2.0; Rear panel: 4 × USB 3.0
	Serial interface	RS-232; RS-485
Alarm input / output	Optional: 16/4	
General	Power supply	100 to 240 VAC, 50 to 60 Hz
	Consumption (without hard disk)	≤ 30 W
	Working temperature	0 to +45° C (+32 to +113° F)
	Working humidity	10 to 90 % (Non-condensing)
	Chassis	19-inch rack-mounted 2U chassis
	Dimensions (W × D × H)	445 × 470 × 90 mm (17.5"× 18.5" × 3.5")
	Weight (without hard disk)	≤ 8 kg (17.6 lb)

Physical Interfaces

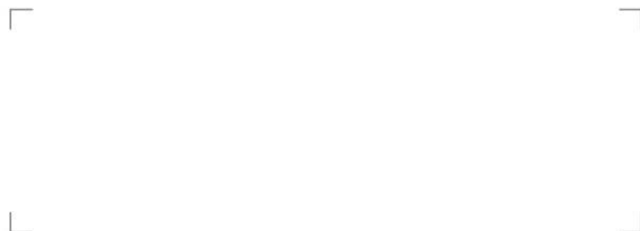


Index	Description	Index	Description
1	HDMI1 and HDMI2 Interfaces	7	LAN3 and LAN4 Interfaces (Optional)
2	VGA Output Interface	8	Alarm Input / Output (Optional)
3	RS-232 Serial Interface	9	RS-485 Serial Interface
4	Audio Input / Output Interface	10	GND
5	4 × USB 3.0 Interface	11	100 to 240 VAC power supply
6	LAN1 and LAN2 Interfaces	12	Power Switch

Available Models

DS-WSPLI-T8

Distributed by



Headquarters

No.555 Qianmo Road, Binjiang District,
Hangzhou 310051, China
T +86-571-8807-5998
overseasbusiness@hikvision.com

Hikvision USA
T +1-909-895-0400
sales.usa@hikvision.com

Hikvision Australia
T +61-2-8599-4233
salesau@hikvision.com

Hikvision India
T +91-22-28469900
sales@pramahikvision.com

Hikvision Canada
T +1-866-200-6690
sales.canada@hikvision.com

Hikvision Thailand
T +662-275-9949
sales.thailand@hikvision.com

Hikvision Europe
T +31-23-5542770
sales.eu@hikvision.com

Hikvision Italy
T +39-0438-6902
info.it@hikvision.com

Hikvision Brazil
T +55 11 3318-0050
Latam.support@hikvision.com

Hikvision Turkey
T +90 (216)521 7070- 7074
sales.tr@hikvision.com

Hikvision Malaysia
T +601-7652-2413
sales.my@hikvision.com

Hikvision UK & Ireland
T +01628-902140
sales.uk@hikvision.com

Hikvision South Africa
Tel: +27 (10) 0351172
sale.africa@hikvision.com

Hikvision France
T +33(0)1-85-330-450
info.fr@hikvision.com

Hikvision Kazakhstan
T +7-727-9730667
nikia.panfilov@hikvision.ru

Hikvision Vietnam
T +84-974270888
sales.vt@hikvision.com

Hikvision UAE
T +971-4-4432090
salesme@hikvision.com

Hikvision Singapore
T +65-6684-4718
sg@hikvision.com

Hikvision Spain
T +34-91-737-16-55
info.es@hikvision.com

Hikvision Tashkent
T +99-87-1238-9438
uzb@hikvision.ru

Hikvision Hong Kong
T +852-2151-1761
info.hk@hikvision.com

Hikvision Russia
T +7-495-669-67-99
saleru@hikvision.com

Hikvision Korea
T +82-(0)31-731-8817
sales.korea@hikvision.com

Hikvision Poland
T +48-22-460-01-50
info.pl@hikvision.com

Hikvision Indonesia
T +62-21-2933759
Sales.Indonesia@hikvision.com

Hikvision Colombia
sales.colombia@hikvision.com